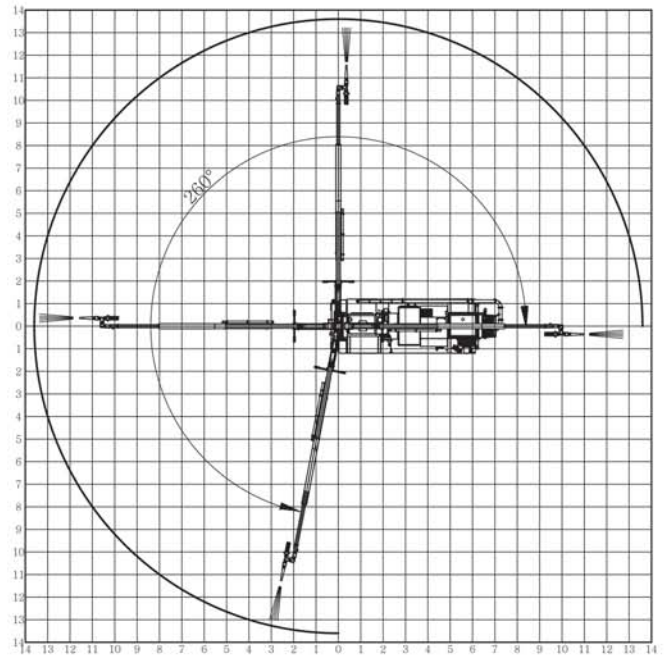
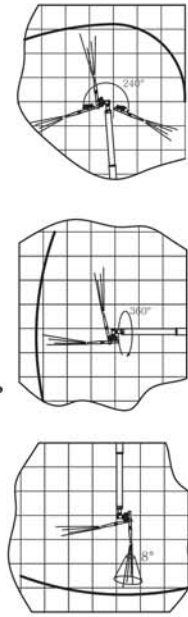
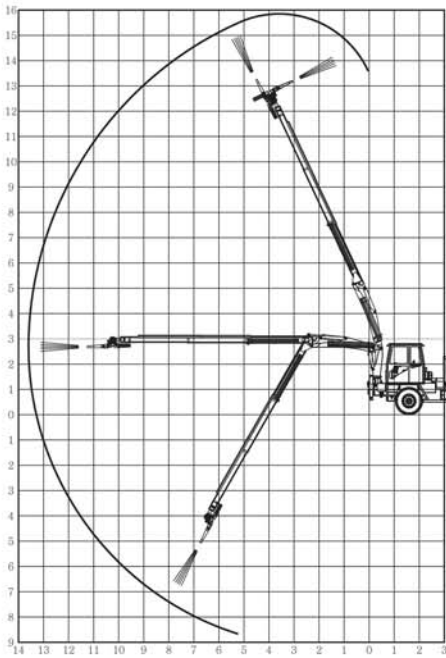
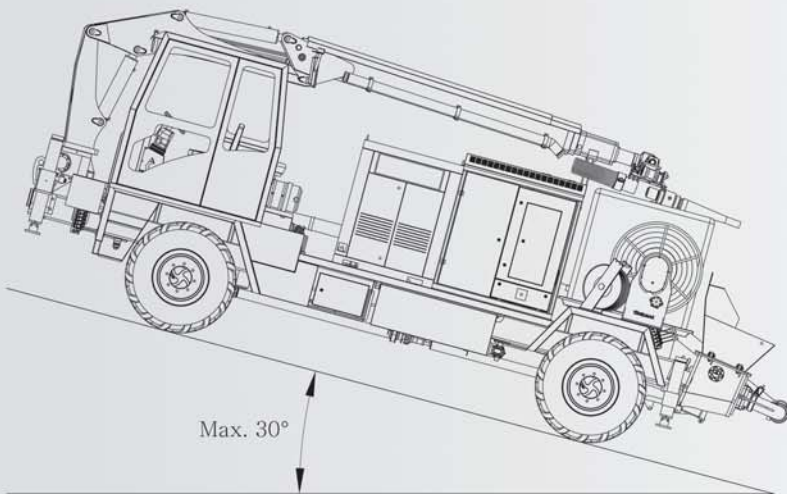


450 - Operation Diagram



Steering and Wheel Transmission System

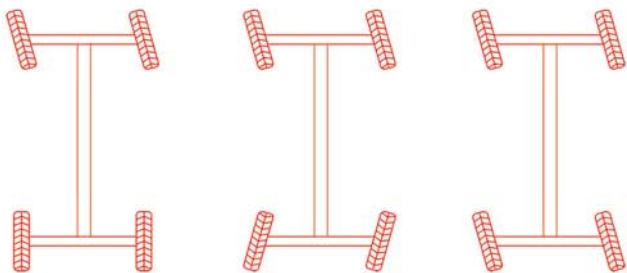


Max. Speed - Max. Power of Climbing

There is a gear option at variable flow, closed circuit pumps of Adroits with 4x4 hydrostatic system. They have the feature of fast movement in straight roads and 30° gradient climbing by means of piston pumps and variable flow hydraulic motors.

Adroits with 4x4 powershift system offers long distance drives on flat terrains as well as climbing 25° gradient.

Back axle oscillates $\pm 8^\circ$ and able to move on rough terrain conveniently.



Front Wheel Control

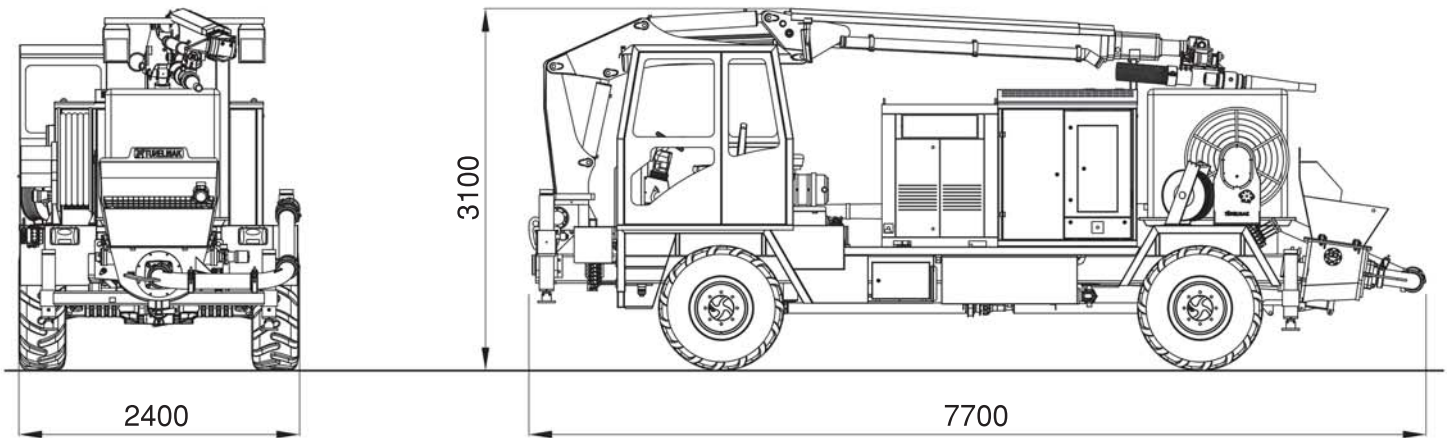
Articulated Steering

Crab Crawling Steering



Front Wheel Control

Articulated Steering



Min. & Max. Spraying Dimensions

